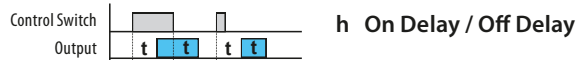
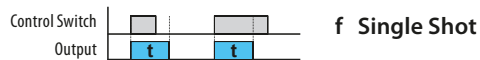
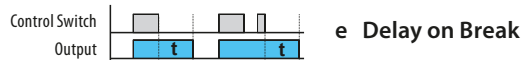


FEATURES

- Multifunction timer
- Input voltage 12-240 VAC / VDC
- Relay output form: SPDT – 16 Amps
- Ten selectable timing modes:
 - 4 controlled via input voltage
 - 5 controlled via control switch
 - 1 with memory alternator
- Time range setting from 0.1 second to 10 days
- Output indicator: Multifunction red LED, flashing at various rates
- DIN rail mounting
- UL and CE approvals, RoHS compliant

TIMING MODES



191

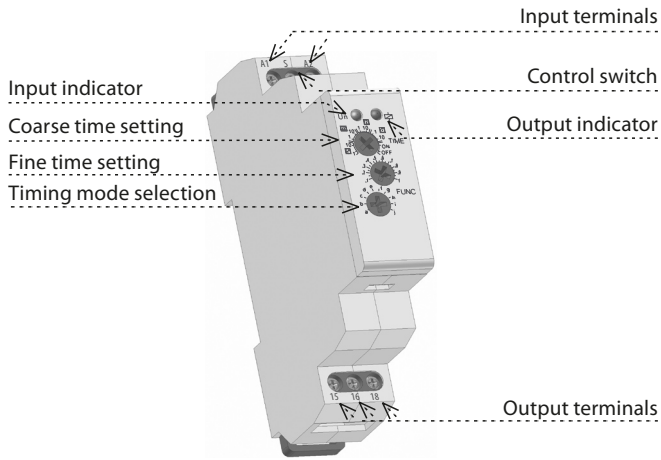
**MULTIFUNCTION
TIMER with
TEN SELECTABLE
TIMING MODES**

10/15/08

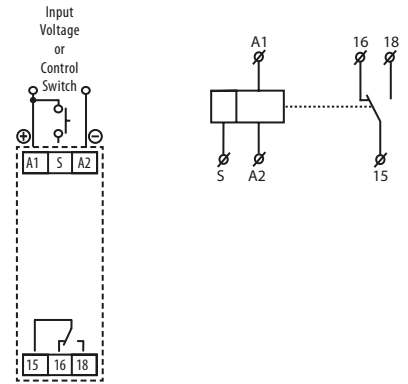
SPECIFICATIONS

| | |
|--|---|
| Number of timing modes . . . | 10 |
| Input terminals | A1-A2 |
| Input voltage | AC/DC 12-240V (AC 50/60Hz) |
| Power consumption | AC 0.7 to 3VA DC 0.5 to 1.7W |
| Input voltage tolerance . . . | -15% to +10% |
| Input indicator | Green LED |
| Time ranges | 0.1 second-10 days |
| Time settings by | Potentiometer |
| Setting accuracy | 5% |
| Repeatability | 0.2% |
| Relay output form | SPDT |
| Rated current | 16Amps |
| Switching capacity | 4000 VA/ AC, 384 W/ DC |
| Inrush current | 30A / < 3s |
| Switching voltage (max) . . . | 250VAC / 24VDC |
| Switching capacity DC (min) | 500mW |
| Output indicator | Multifunction red LED |
| Mechanical life | 30 million operations |
| Electrical life (resistive) . . . | 70,000 operations |
| Control switch | A1-S |
| Reset time (max) | 150ms |
| Operating temperature . . . | -20°C to +55°C |
| Storage temperature | -30°C to +70°C |
| Impulse length | 25ms (min) / (max) unlimited |
| Dielectric strength | 4 kV |
| Operating position | any |
| Mounting | DIN rail EN 60715 |
| Protection degree | IP 40 from front panel |
| Wire size (max) | 14AWG |
| Standards | EN 61812-1, EN 61010-1, UL, CE, RoHS |

FEATURES



WIRING DIAGRAM



A control switch can also turn a second parallel load on and off while connected to the S terminal and A2. S = control switch terminal.